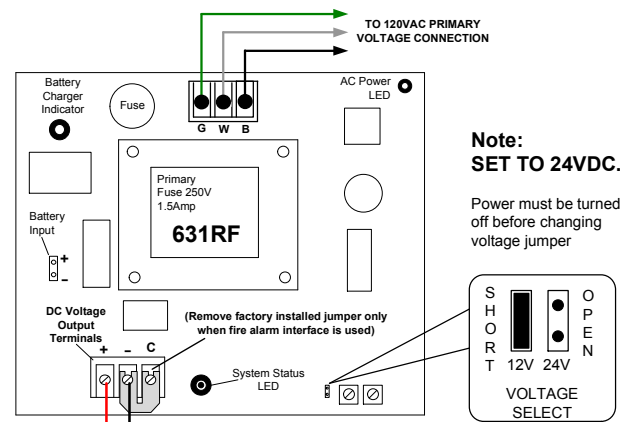


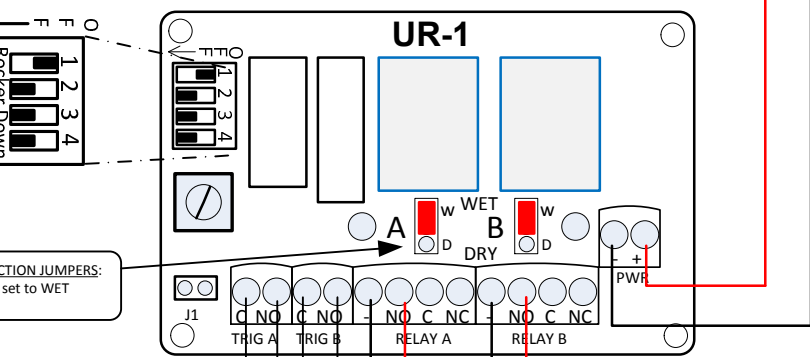
**CBP-M Series – System Components:**

- (1) 631RFXUR1 – 1A Power Supply w/ Comm. Bath Controller
- (1) CB402-A – Activation Button
- (2) CB402-B – Emergency Release Button
- (2) Z7850LQDE or Z7850LQDG – Electrified Mortise Lock w/ DPS, Eclipse or Galaxy Lever
- (2) PTH-4Q – 4.5"x4.5" Power Transfer Hinge



**ROCKER SWITCH SETTINGS:**  
SWITCH #1 IS ON  
ALL OTHER SWITCHES OFF

**WET/DRY SELECTION JUMPERS:**  
Both "A" & "B" set to WET



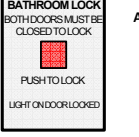
**CB402-B**  
(OUTSIDE DOOR 1)



**CB402-B**  
(OUTSIDE DOOR 2)



**CB402-A**  
BATHROOM LOCK  
BOTH DOORS MUST BE CLOSED TO LOCK  
PUSH TO LOCK  
LIGHT ON DOOR LOCKED



**Method of Operation:**

Both doors are normally closed and unlocked.

**System Activation:**

Upon entering the bathroom and closing both doors, momentarily pressing the Activation Button will lock both doors and turn ON the indicator lamps on the Activation and Emergency Release Buttons, indicating the system is active.

**System Deactivation:**

Operating the inside lever & opening either door will unlock both doors and turn off all indicator lamps. Using a key override from the outside to enter either door will also reset the system and unlock both doors.

**Emergency Override:**

Momentarily pressing either Emergency Release Button located outside each door will immediately unlock both doors and reset the system.

