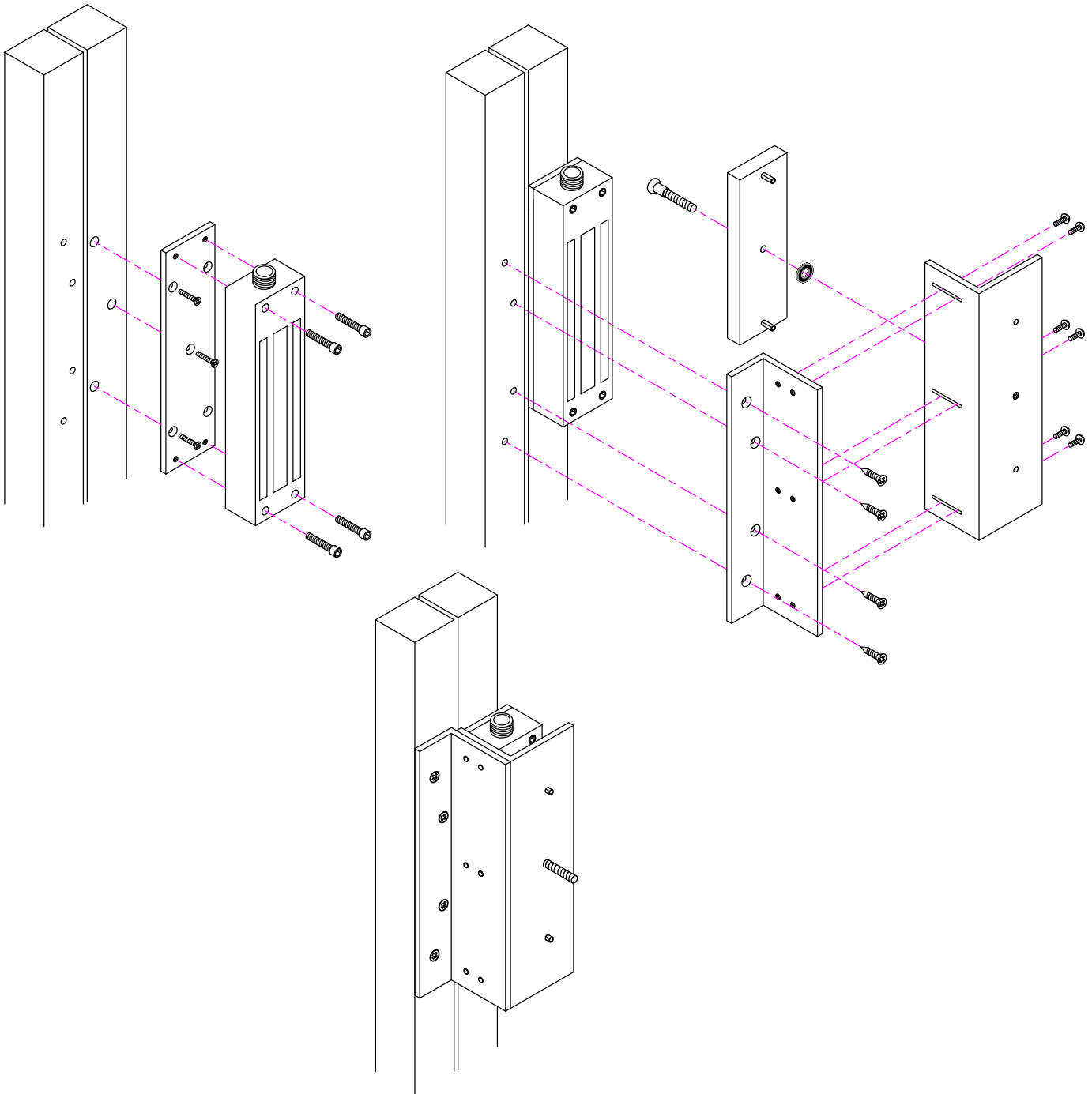


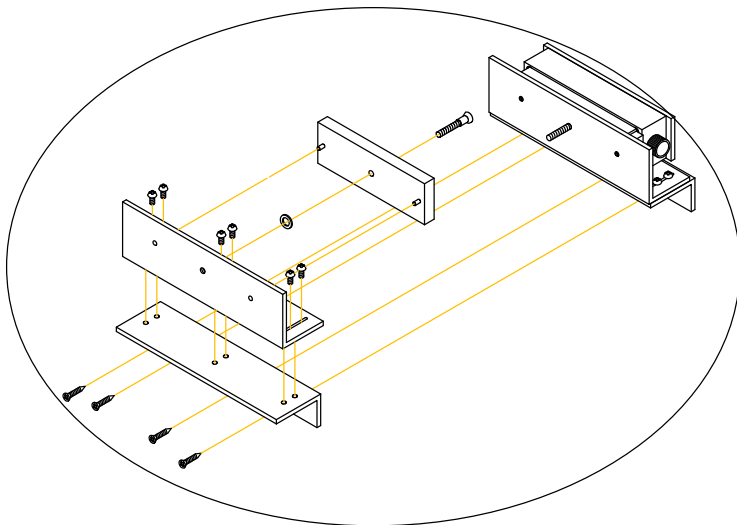
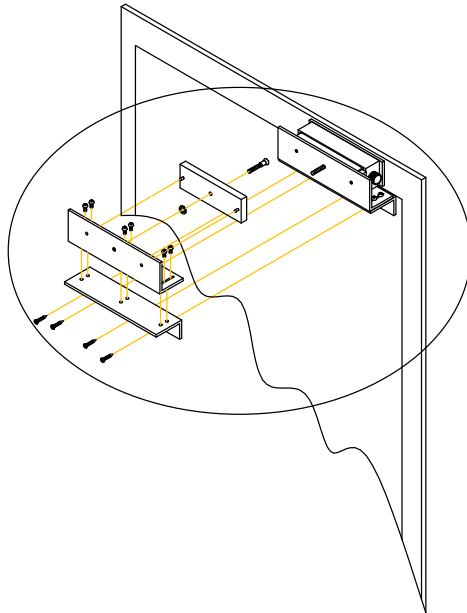
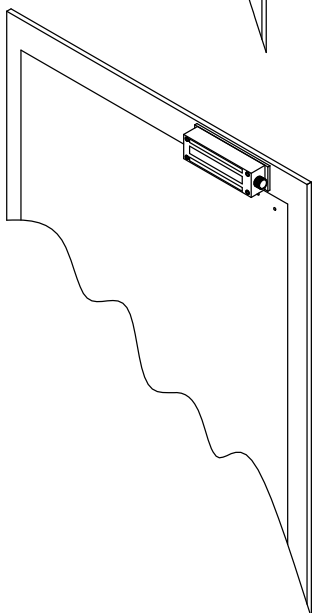
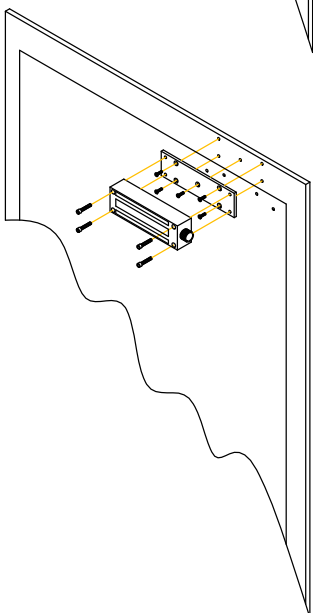
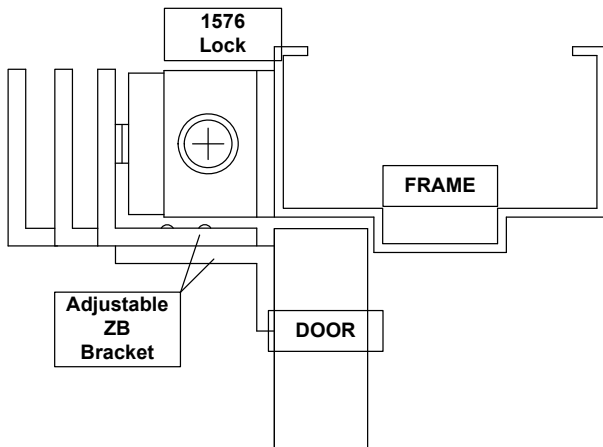
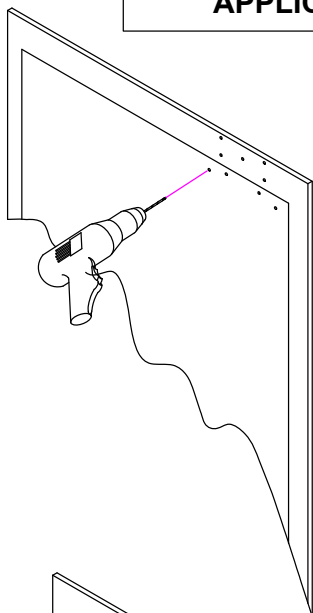
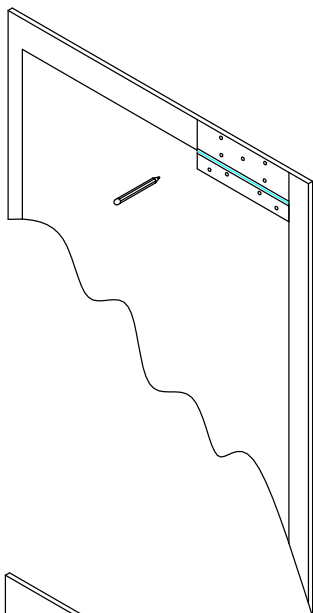
SDC Security Door Controls

801 Avenida Acaso, Camarillo, Ca. 93012 • (805) 494-0622 •
www.sdcsecurity.com • E-mail: service@sdsecurity.com

INSTALLATION INSTRUCTIONS 1576-ZB GATE LOCK MOUNTING KIT



TOP JAMB DOOR APPLICATION



1576-ZB Mounting Template
 Dimensional Drawing. Not to Scale.

