



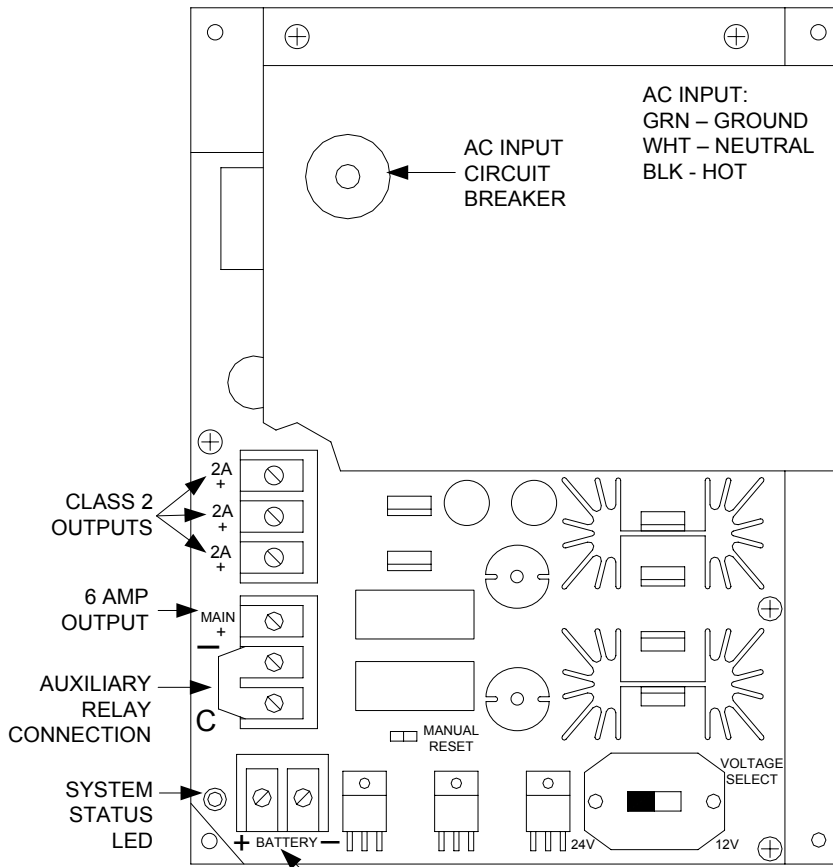
SECURITY DOOR CONTROLS

3580 Willow Lane, Westlake Village, CA 91361-4921
 (805) 494-0622 • Fax: (805) 494-8861
 www.sdcsecurity.com • E-mail: service@sdsecurity.com

**REGULATED POWER SUPPLY
 INSTALLATION INSTRUCTIONS**

MODEL 636RF

FIGURE A



LED STATUS LEGEND:
 YELLOW – SYSTEM OK
 RED – NO AC INPUT
 GREEN – NO DC OUTPUT

**BATTERY INPUT
 TERMINALS**

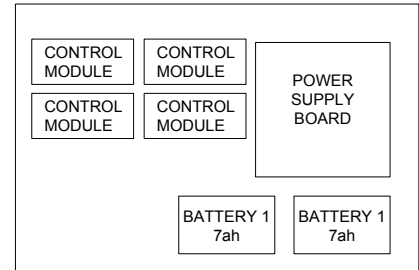
24V POSITION
12V POSITION



VOLTAGE SELECTION
**NOTE: POWER MUST BE
 TURNED OFF BEFORE
 CHANGING VOLTAGE**

COMPONENT LOCATIONS

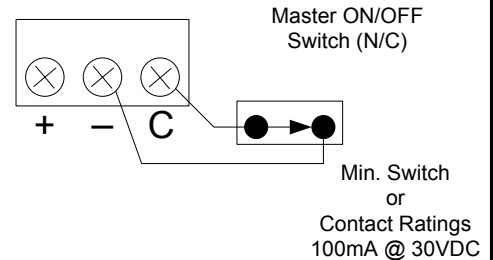
FIGURE B



STANDARD BOX

MAIN SYSTEM ON-OFF

FIGURE C



POWER SUPPLY SPECIFICATIONS

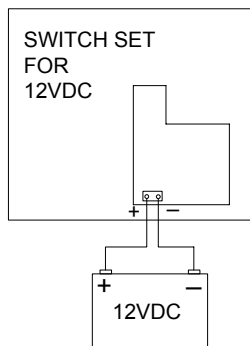
Input Voltage: 115 VAC @ 60hz
 Input Current: 1.8 amps Max.

Output Voltage: 12/24VDC (Regulated)
 Output Current: 6 amps
 Ripple Voltage: 0.05 Volts Max.

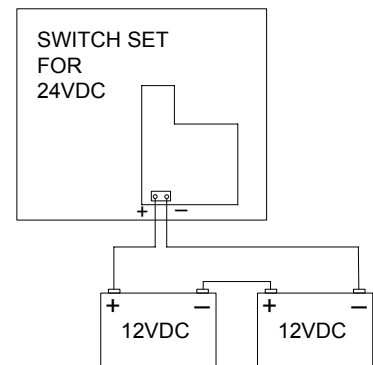
Battery Charger Max. Current: 0.35 amps
 Maximum recommended battery size: 7 ah
 (Replace batteries every 3 years)

Suitable Uses:
 Electric Lock Power Supply
 Access Control Power Supply

12 Volt
 Mode
 Battery
 Connections



24 Volt
 Mode
 Battery
 Connections



TEST UNIT YEARLY