



INSTALLATION INSTRUCTIONS

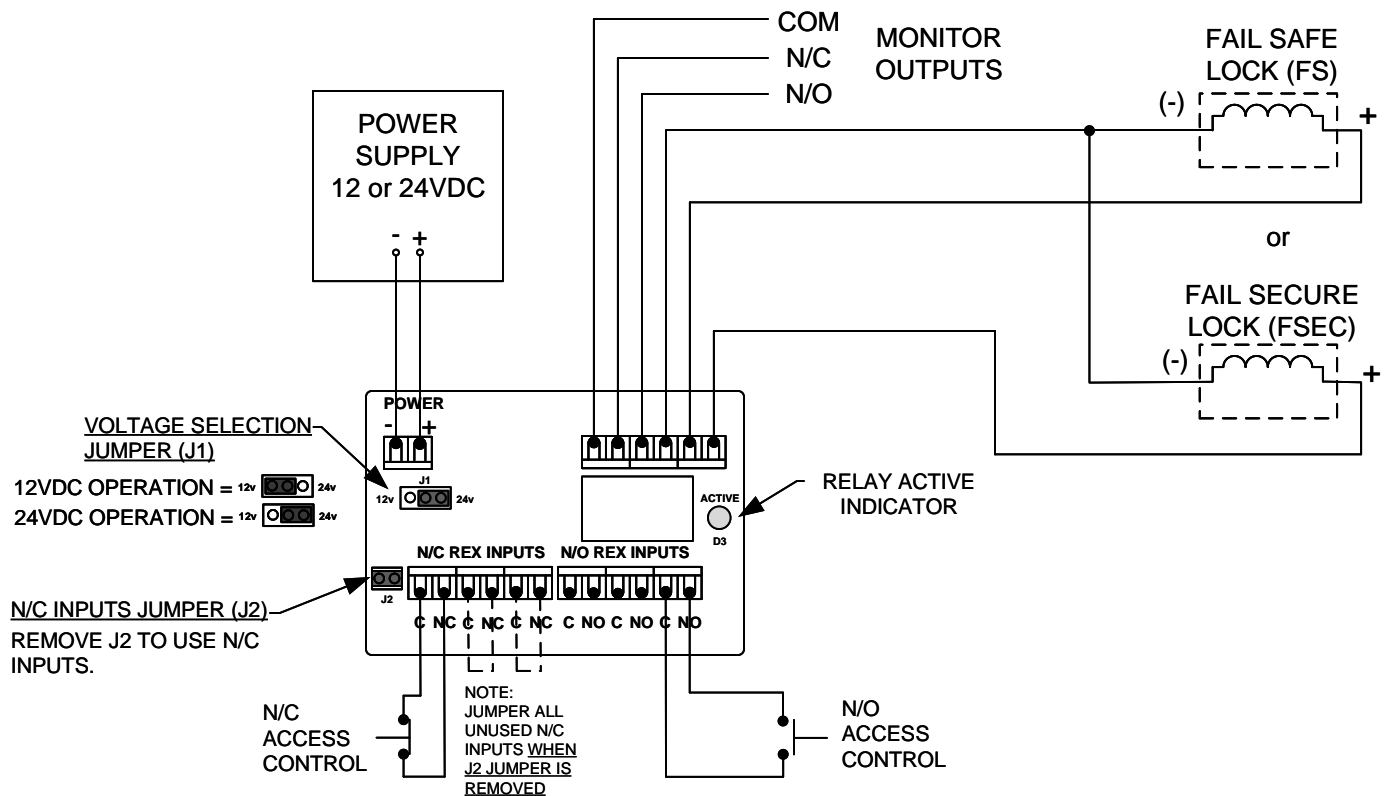
ACM-1 ACCESS CONTROL MODULE

The SDC ACM-1 Access Control Module is an installer friendly interface relay board designed to release a magnetic locking device or electric strike, to provide a lock status output and to provide easy to use multiple wiring terminals for additional access control REX (Request to Exit) inputs.

Operation

When any input is activated, the relay will release the magnetic lock or electric strike. The Lock Status Output will change state and the green LED will illuminate.

Compatible with any Request to Exit (REX) output, i.e. Request-to-Exit Push Bar, Keypad, Card Reader, Motion Sensor, Push Button or Key Switch.



ELECTRICAL DATA

- Input Voltage – 12 OR 24vdc (+/- 10%).
- 75mA Input controller current.
- 3 – N/C Normally Closed Inputs with screw terminals.
- 3 – N/O Normally Open Inputs with screw terminals.
- 5 Amp (Resistive) Fail-safe or Fail-secure Lock Output. Output voltage is the same as input voltage as configured using jumper J1.
- Lock Status Output – SPDT (Form C) Dry Contact.
- Green LED Indicator – Illuminated when relay is activated.
- Size: 3.20" (81.28mm) W x 2.00" (50.8mm) L x 1.00" (25.4mm) H.
- Fits all SDC Power Supplies. Requires 1 Module space.
- Supplied with mounting screws and standoffs for J-box mounting.