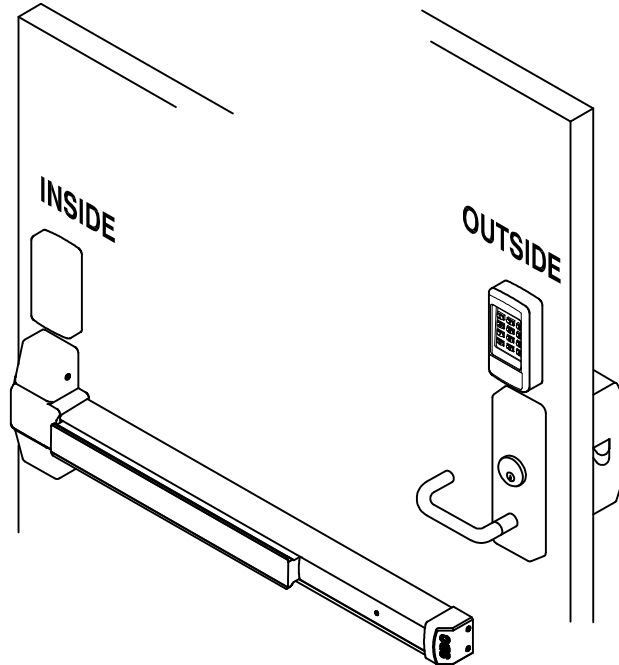


# INSTALLATION INSTRUCTIONS

## E77 SERIES STANDALONE ELECTRONIC LOCKSET



- Keypad Programmable
- 3,000 Users, 32 Temporary Users
- 4 to 6 digit PIN Codes
- 3 Passage Mode Option
- 32 Access Groups, Schedules
- 32 Holidays
- 4 Authority Levels
- Keypad Tamper Lockout
- Mechanical Key Override
- Battery Powered (4AA)
- Blue Backlit Cast Metal Keys
- Weather & Vandal Resistant
- Retrofit existing Lock Door Prep
- Electrified SDC Mortise Lockcase
- Heavy Duty ANSI Grade 1
- Vandal resistant Lever Handles

### 1. DOOR PREP

Refer to page 4 & 5 for the dimensional drawing to prep the door face. For exit device door prep refer to the template that is provided with the exit device.

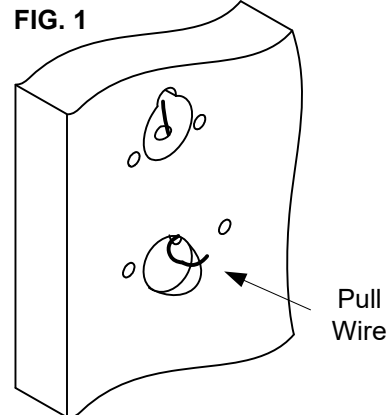
#### NOTE;

For wood doors, use a 1/4" spade bit, to drill the wire raceway where shown.

### 2. PULL WIRE PREP

Pass a small pull wire through the raceway hole. This pull wire will be used to bring wires from the trim opening to the keypad wiring area.

(Fig. 1)



### 3. EXIT DEVICE & TRIM INSTALL

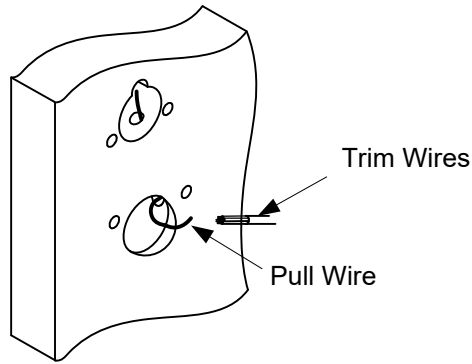
Install the Exit Device and Trim (Refer to appropriate instructions).

### 4. RUN WIRE THROUGH RACEWAY

Attach the Pull Wire to the trim Lock Wires. Pull the lock wires up through the raceway as you insert the trim.

Fig. 2

FIG. 2

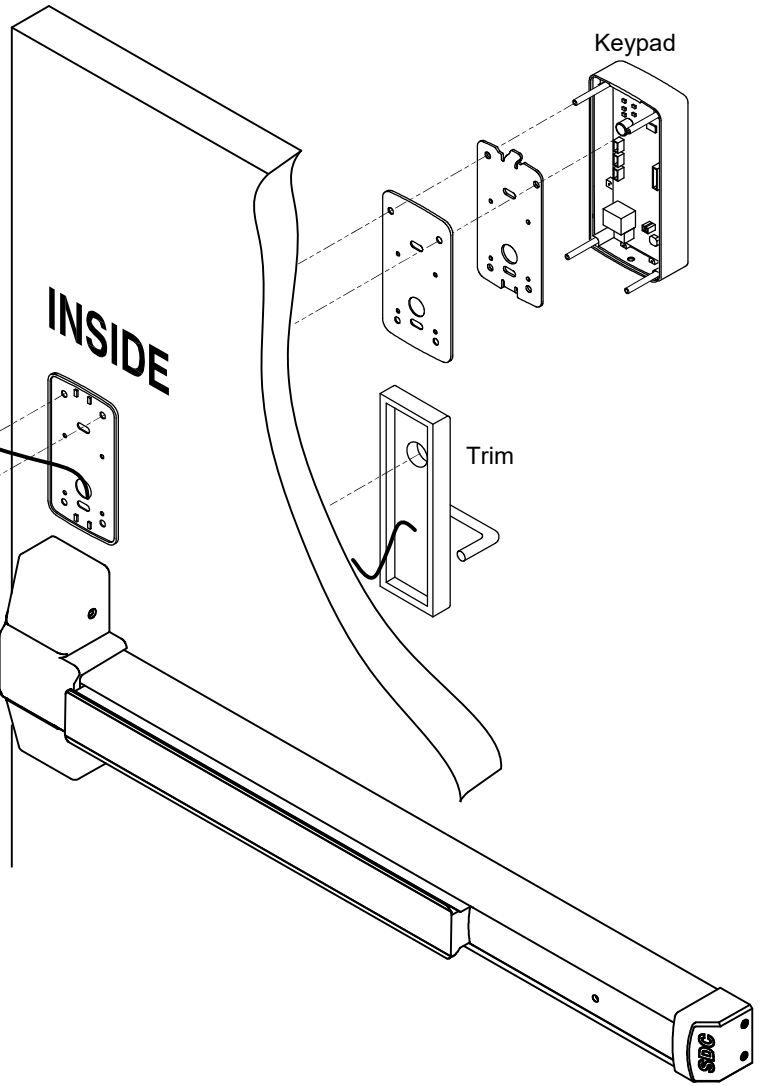


### 5. INSTALL KEYPAD

Install the Keypad and battery pack to the door.

Fig. 3

FIG. 3



### 6. WIRE KEYPAD

Plug in the keypad to the battery pack. Attach wires from the Trim & Exit Device to the keypad using the chart below.

Function	Keypad	Outside Trim
Motor +	RED	RED
Output -	WHT	WHT



**Specifications**

- Power:** 4AA Batteries (Alkaline only) or External 12VDC Power @ 30mA
- Inputs:** 1 Request-To-Exit  
1 Door Position Switch
- Output:** SPDT Contacts 1A @ 30VDC Relay
- Temperature:** -20° F to +130° F (-30° C to +54° C)
- Humidity:** 5% to 95% non-condensing
- Latch Bolt:** 3/4"
- Backset:** 2-3/4"
- Strike:** 4-7/8" ANSI A115.2
- Door Thickness:** 1-3/4" to 2"

**Additional Wire Connections**

- Door Position Switch Input = GRY (N/C)  
BLK (COM)
- Auxiliary Relay Output = ORG (N/C)  
WHT (COM)  
YEL (N/O)
- Factory Reset = BRN  
BRN
- Remote Access = BLU (N/C)  
BLK (COM)
- 12VDC External Power = RED / WHT (+)  
BLK / WHT (-)  
(22AWG)

**DO NOT LUBRICATE TRIM**

**CHANGE HAND OF LEVER HANDLE**

1. Turn lever handle to the right or left direction to meet door handing (Fig. 4).
2. Insert the square spindle into the hub (Fig. 5).
3. Proceed with Escutcheon Trim / Panic Device instructions.

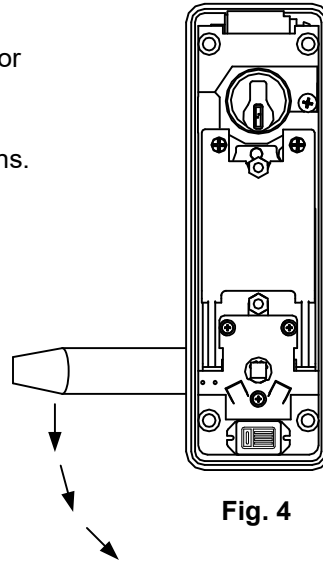


Fig. 4

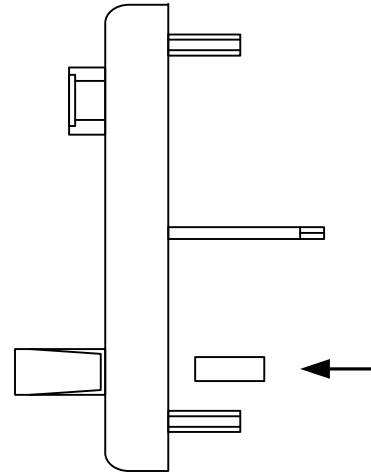
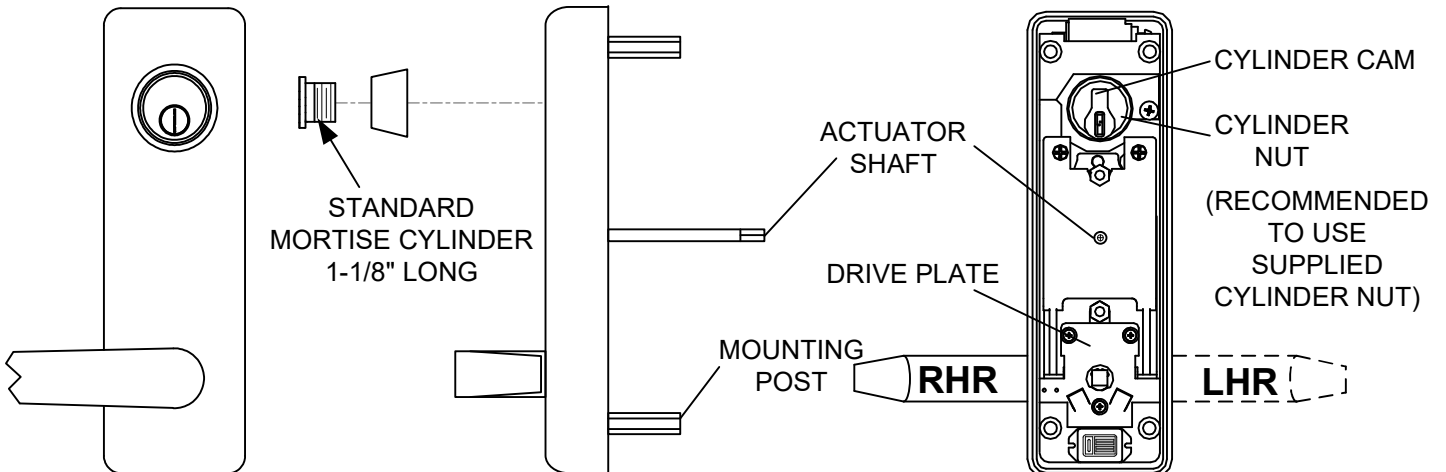
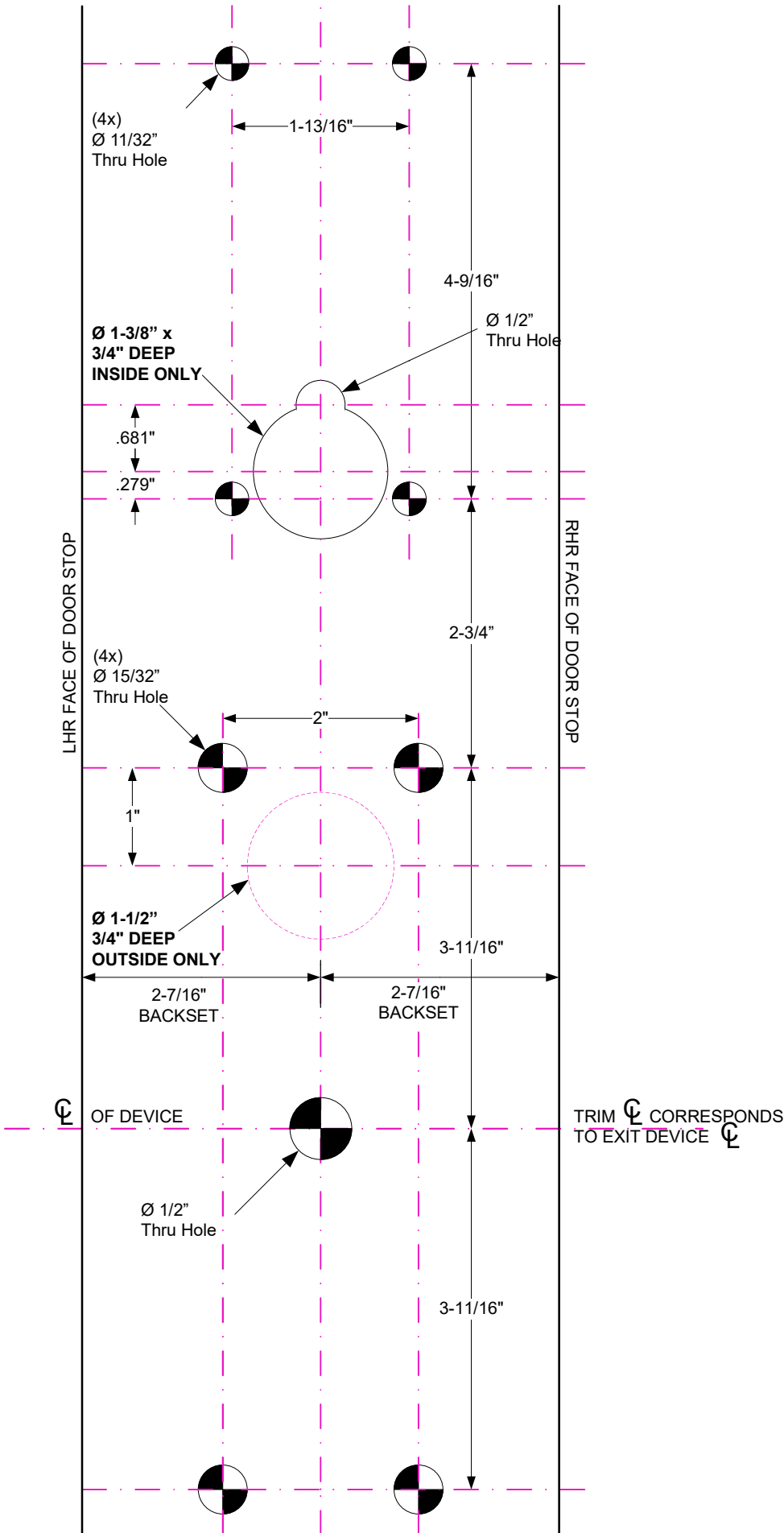


Fig. 5

**INSTALL MORTISE CYLINDER**

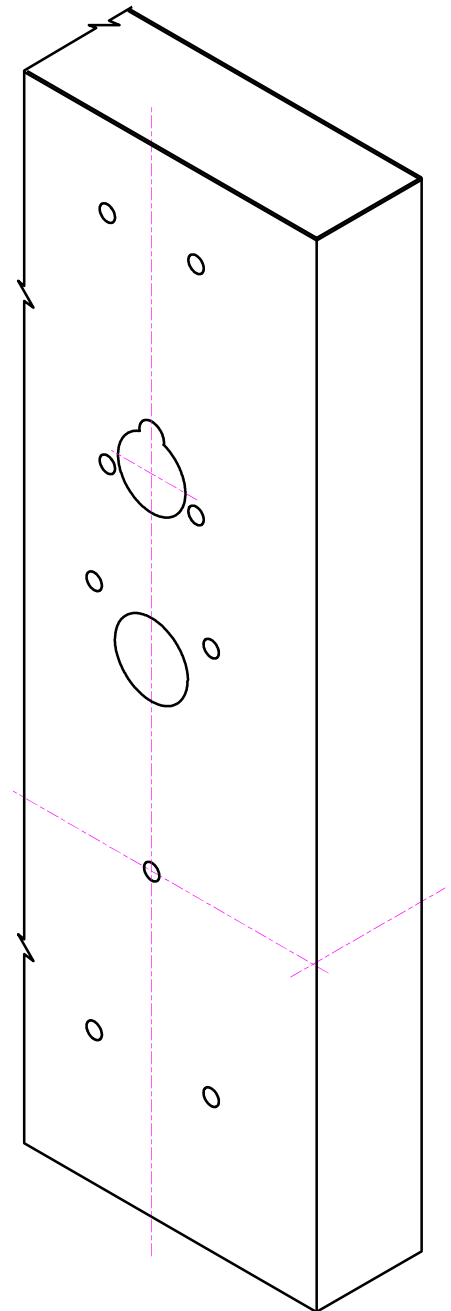
1. Position collar on mortise cylinder, then push through escutcheon trim with key removed and cam in position shown.
2. Install cylinder nut and screw down securely.
3. Insert key and test with lever.

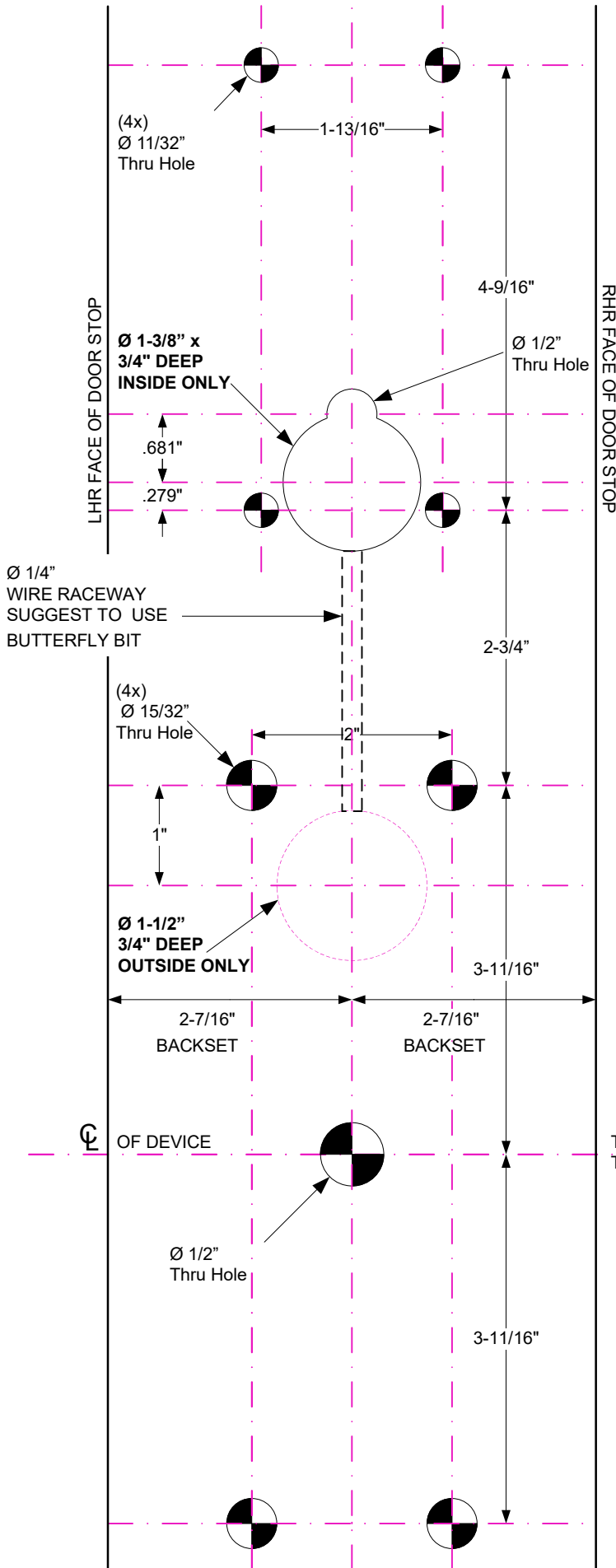




**For Reference Only  
Not to Scale**

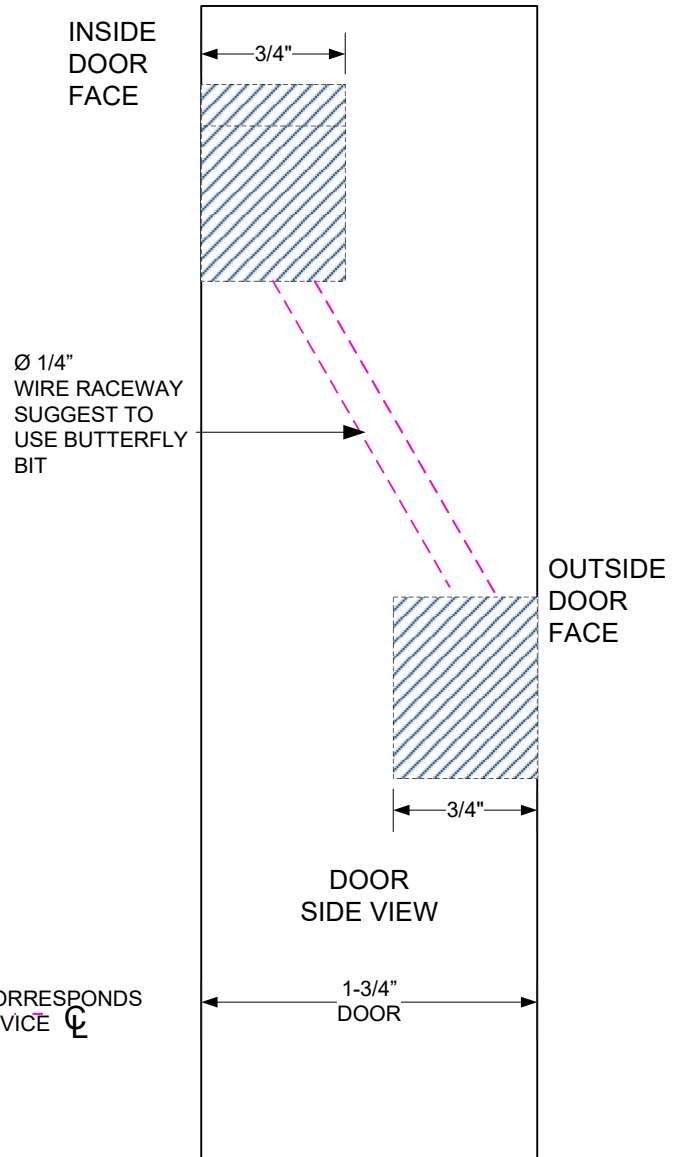
E77 DIMENSIONAL  
REFERENCE  
HOLLOW METAL DOOR  
2-7/16" BACKSET  
1-3/4" ~ 2" DOOR THICKNESS





**For Reference Only  
Not to Scale**

E77 DIMENSIONAL  
REFERENCE  
WOOD DOOR  
2-7/16" BACKSET  
1-3/4" ~ 2" DOOR THICKNESS





# Quick Start

## Programming Instructions

### E77 EntryCheck™

#### Lock Initiation

When the lock is first installed or when after a hard reset has been performed, the E77K must be initialized and a lock ID must be entered before you will be allowed to enter the program mode.

To test lock operation before initialization, enter **\*741**. This temporary code will unlock the E77K for testing purposes. Once a lock initialization has been performed, this code is no longer active until a hardware reset is performed which will erase all the users and return the E77K back into the uninitialized factory default condition.

#### User Programming

##### Enter Programming Mode: #9# User No# User PIN #

1) Press #9# 01# 123456#

User 01 is the administrator and has full programming rights. 20 seconds of inactivity will automatically return you from programming mode you to operational mode.

##### Add a User: 01# User No.# PIN Code # Pin Code # Group No.#

Example: Press 01# 04# 5555# 5555# 06#

You have just added User #04 with a PIN of 5555# to unlock the door.

User 4 has also be assigned to group 06 (24/7 access).

User must be assigned a 4 to 6 digit PIN code.

#### To Initialize Lock:

1) Apply Power (Plug in the battery pack)

2) Press #9\* 123456# 0001#

3) Press \*\*#

The above example enters a Lock ID of 0001. If Multiple locks are used with the Management Software, Each lock must have it's own *Unique* Lock ID (0002, 0003 etc)

##### Add a Card: 06# User No.# Present Card #

Example: Press 06# 04# Present Card #

You have just added a card as User #4.

User 4 has also be assigned to group 06 (24/7 access).

**Prox Units  
Only**

##### Set Entry Mode : 05# Mode #

Example 1: Press 05# 1#

Unlock the door either by entering a (PIN + #) or presenting card.

Example 2: Press 05# 2#

Unlock the door by presenting a valid card.

Example 3: Press 05# 3#

Unlock the door by presenting card plus the associated user (PIN +#).

**Mode =**

- 1 PIN or Card (default)
- 2 Card Only
- 3 Card and Pin

##### Change a User PIN Code: 03# User No.# New PIN Code # New Pin Code #

Example: Press 03# 05# 1220# 1220#

You have just Changed User #05's Pin code to 1220

The Administrator's PIN code must be 6 digits in length. All other PIN codes may be 4-6 digits in length

##### Delete a User: 02# User No.#

Example: Press 02# 04#

You have just Deleted User #04

##### Exit Programming Mode: \*\*#

Press \*\*#



## Additional E77 Programming

### Change a User Group: 04# User No.# New user Group

Example: Press 04# 05# 02#

You have just Changed User #05's group to Group 02.

### Enable a User: 26# User No.#

Example: Press 26# 04#

You have just re-enabled User #04 .

### Disable a User: 27# User No.#

Example: Press 27# 04#

You have just disabled User #04 . It re-enable this user, use Function 26

### Set Unlock Timer: 21# Seconds#

Example: Press 21# 03 #

Seconds = 03-20

Unlock timer is set for 03 seconds. (default)

### Beep on Key Press : 62# Status #

Example 1: Press 62# 1#

Status = 0 Disabled

The E76K will beep each time you press a key.

1 Enabled (default)

### Set the Date: 30# MMDDYY#

Example: Press 30# 011513 #

MM = 2 digit Month

The date is set for January 15 th 2013

DD = 2 digit Day

YY = 2 digit Year

### Set the Time: 31# HH MM#

Example: Press 31# 1320 #

HH = Hours (24hr format)

The time is now set to 1:20 PM.

MM = Minutes (24hr format)

### Clear all Programming : 99# 000000 #

Example 1: Press 99# 000000 #

All user codes and programming is erased and settings are set to factory defaults. Lock initialization and Lock ID are not cleared.

## Resetting the E77 to Factory Settings

**Warning!!** This procedure will preform a hardware reset and will erase all the users and custom settings returning the E77K back into the uninitialized factory default condition.

- 1) Remove power (Unplug the battery pack)
- 2) Short and hold the 2 Brn reset wires together
- 3) Apply power. (Plug in the battery pack)



The LED will Flash Red/Grn light during the initialization process. When initialization is complete, you will hear 3 beeps.

- 4) Remove power (Unplug the battery pack)
- 5) Disconnect and insulate the Brn Reset wires.

To test lock operation after a Hardware Reset and before initialization, enter \*741. This temporary code will unlock the E77K for testing purposes. Once a lock initialization has been performed (see page 1), this code is no longer active until a hardware reset is performed again.



# User Chart

Master Code:	
PIN Length	____ Digits

Name	User No.	PIN Code	Group

### Group Codes:

- Group 01 **Administrator:** Full Programming Rights ( User 01 )
- Group 02 **Managers:** May perform programming functions 1-39 (except Function29)
- Groups 03-05 **Supervisors:** May perform programming functions 01,02 & 04.
- Groups 06-32 **User:** No programming rights. Access granted upon proper PIN and group access.

### Notes:

- Groups must have an assigned schedule before they will become active (except groups 01 & 06).
- Group 06 always has 24/7 access.