

INSTALLATION INSTRUCTIONS

LR100DMK

DOR-O-MATIC ELECTRIC LATCH RETRACTION DEVICE KIT

MODELS: 1490 & 1590

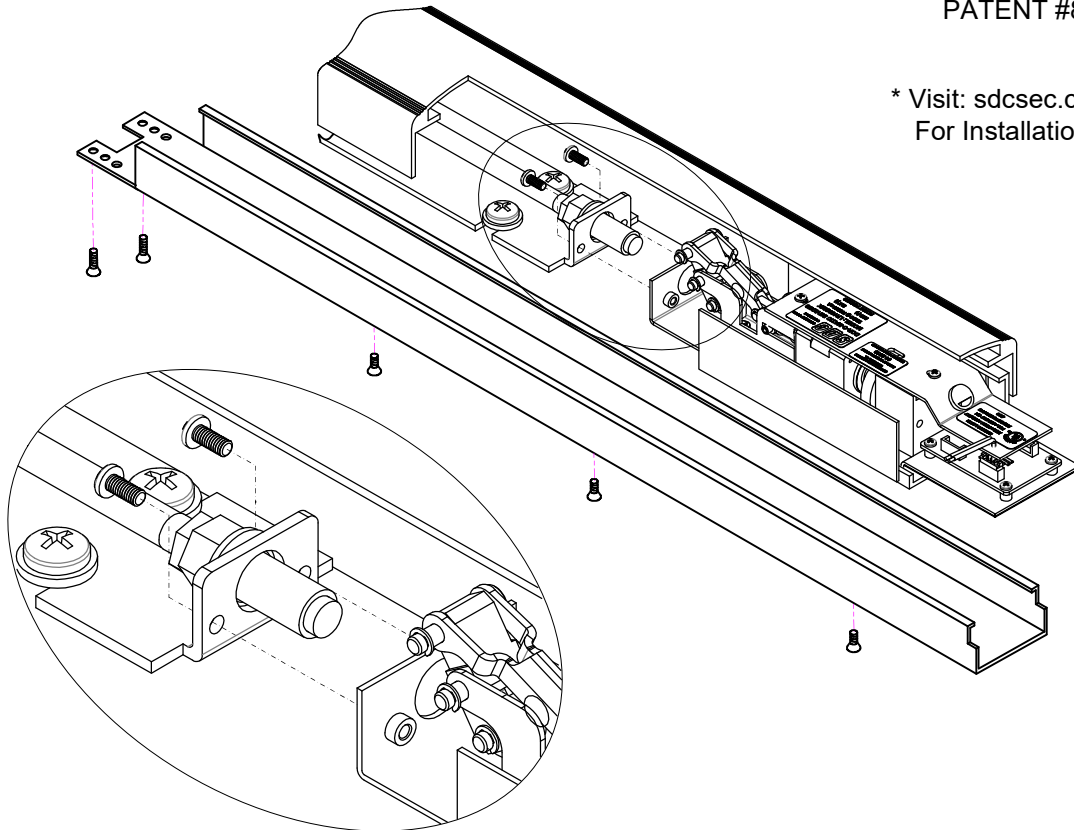
Retrofit Installation Note: 42" or 48" exit devices that have been modified to fit a 36" or smaller opening, may not have the required space to fit the standard E. L. R. assembly. Always verify the distance from the end of the touchpad to the end rail, and if necessary, consult with the factory for appropriate selection.

- Remove the five screws from the bottom of the device (3 along the center and two on the sides attaching the head).
- Slide the bottom housing off of the Push Bar mounting base plate. Attach the LR100DMK to the Push Bar mounting base plate where shown with the screws provided.
- Insert the bottom housing back in place over the Push Bar mounting base plate and re-attach the five screws. Test the LR100DMK for proper function.
- Run wires through the door and attach to power.

ELECTRICAL DATA

24VDC +/- 10%
1.5A inrush/200mA holding
RED (+) BLK (-)
PATENT #8,851,530

* Visit: sdsec.com/doromatic
For Installation video



When retrofitting to existing vertical rod devices, adjustment of the rods is required for proper operation of the Electric Latch Retractor. Once the unit is properly installed, energize it so the latch is dogged down, then reconnect the vertical rods to the device and make the proper adjustments.