

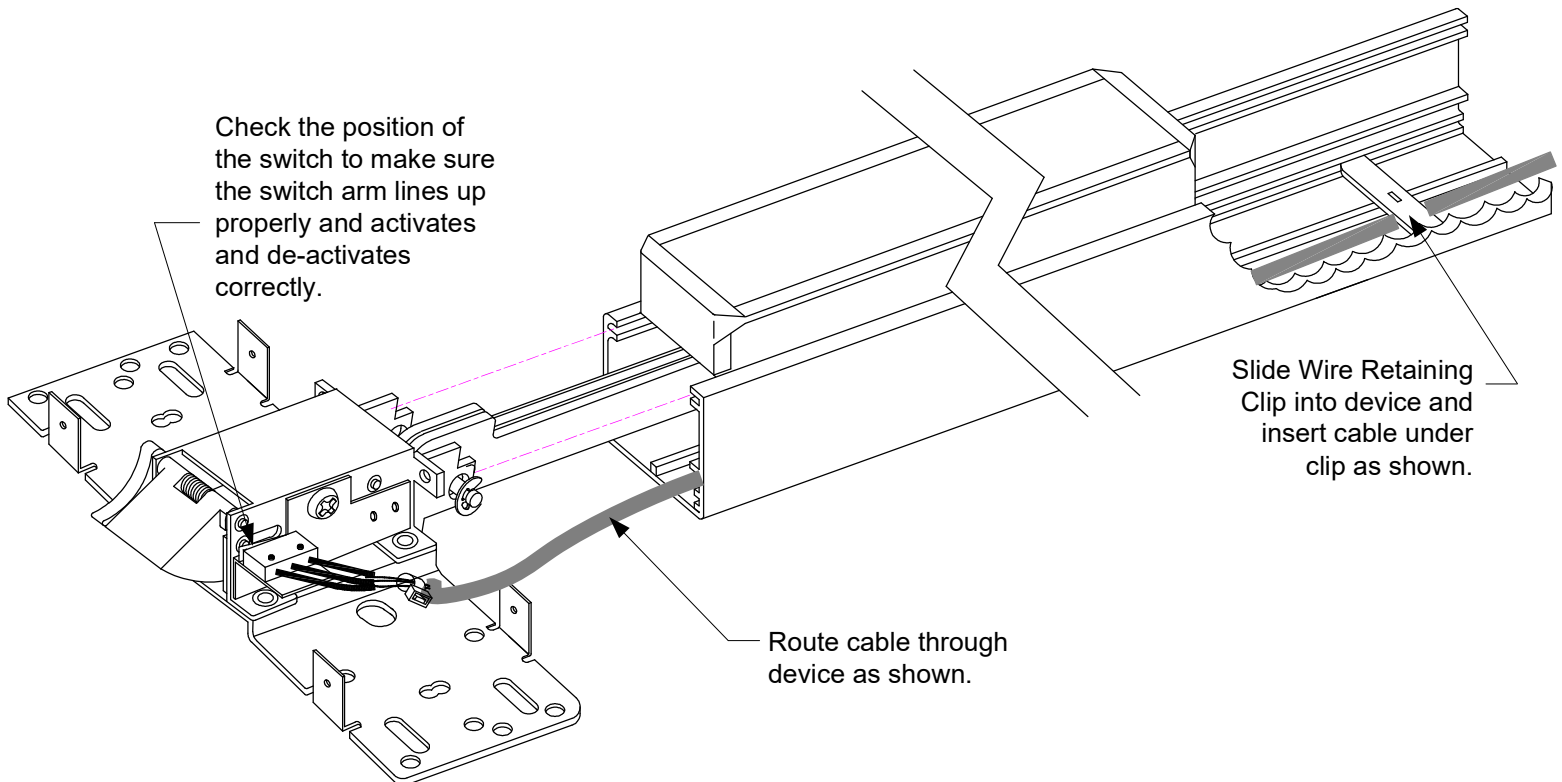
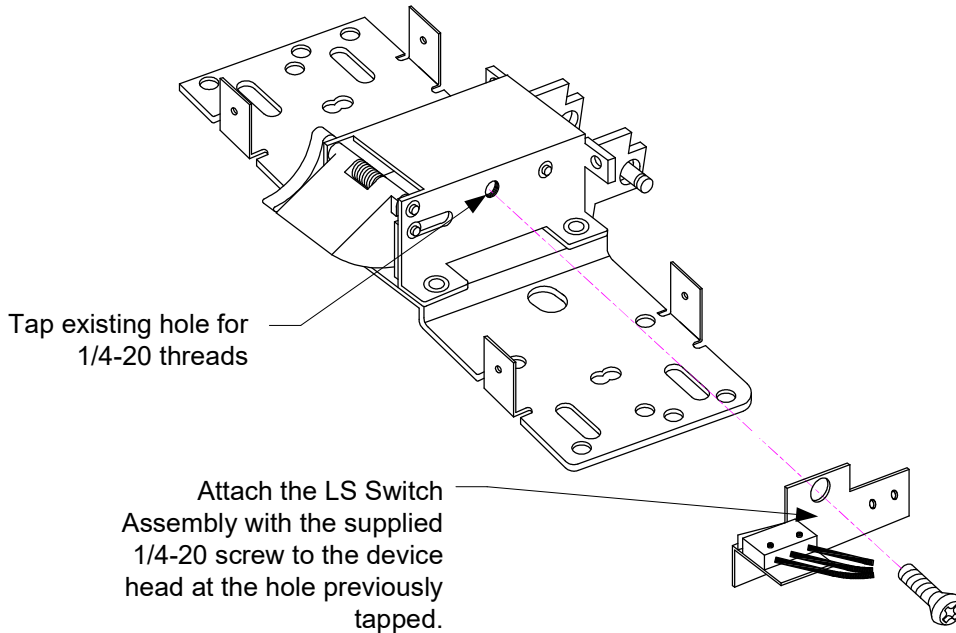


INSTALLATION INSTRUCTIONS

LRH1L HAGER LATCH MONITORING SWITCH KIT MODELS: 4501 RIM

SWITCH SPECIFICATION

BLU - N/C
BRN - N/O
BLK - COM
3 AMP @ 125 VAC
RESISTIVE



Any suggestions or comments to this instruction or product are welcome. Please contact us through our website or email engineer@sdsecurity.com