

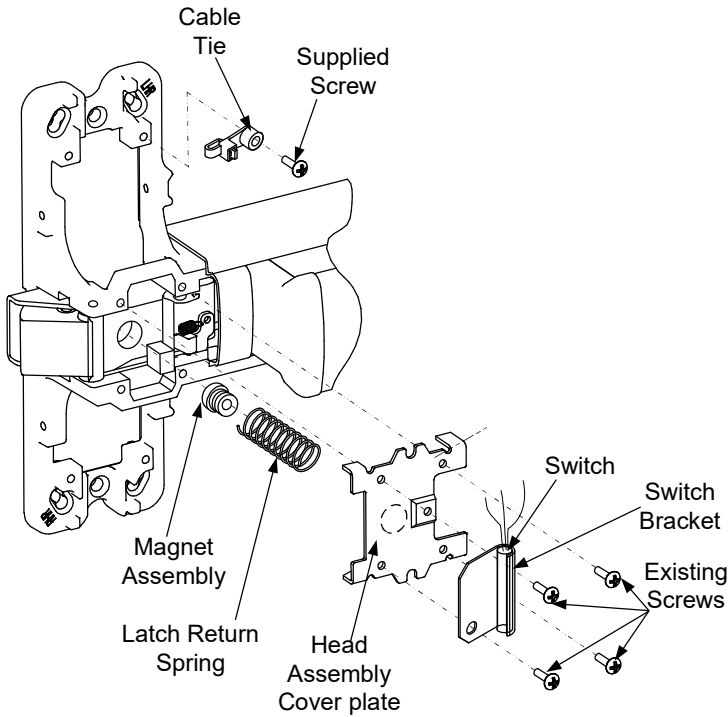


# INSTALLATION INSTRUCTIONS

## LRP1L PHI LATCH MONITORING SWITCH KIT MODEL: 2100 RIM DEVICE

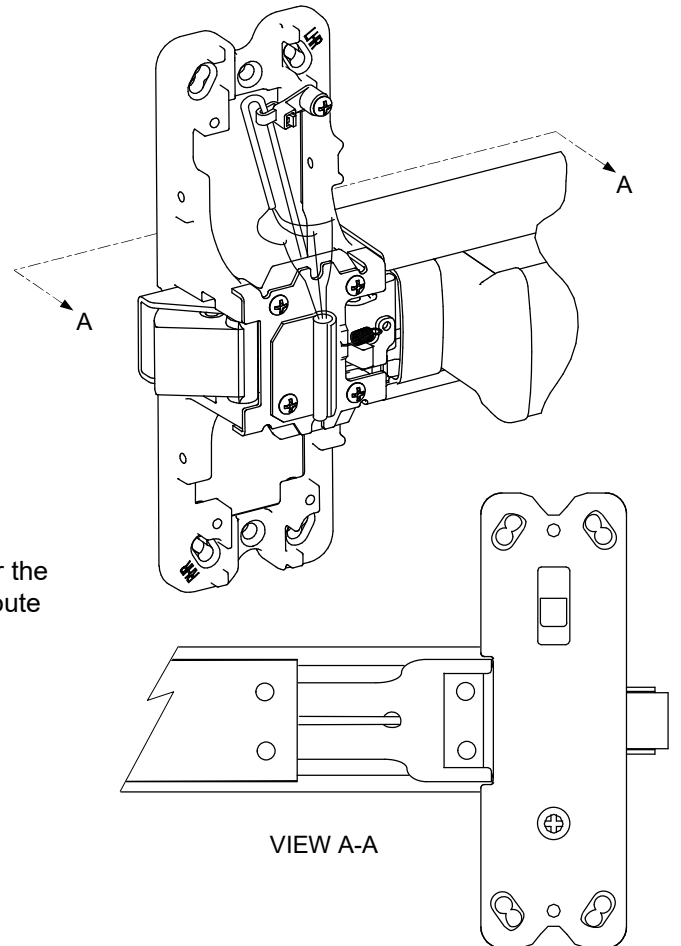
Remove the four screws securing the Head Assembly Cover Plate. Insert the Magnet Assembly under the existing Latch Return Spring. Attach Cable Tie where shown using the supplied screw. Re-Attach the Head Assembly Cover Plate, using one of the existing screws to secure the Switch Bracket as shown.

**\*NOTE:** Regardless of handing, the Cable Tie must always be fastened to the “LHR” side of the device.



### SWITCH SPECIFICATION

RED - N/C  
 WHT - N/O  
 BLK - COM  
 200 mA @ 30 VAC  
 RESISTIVE



Route cable wire thru cable tie as shown and back inside under the push bar. Come out the hole at the back of mounting rail and route cable through the bar.