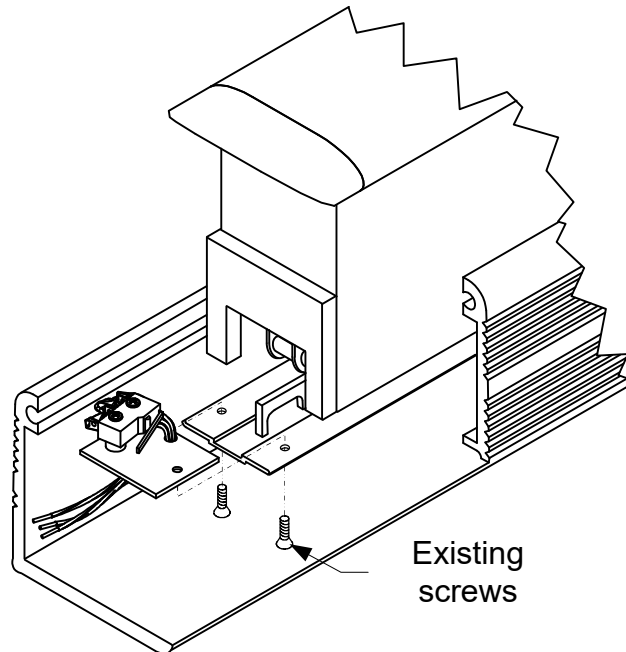




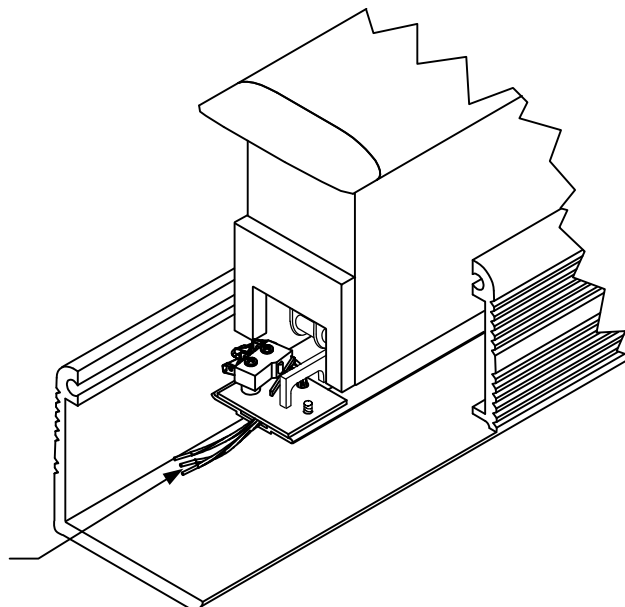
INSTALLATION INSTRUCTIONS

LRTS1R TOWN STEEL REQUEST-TO-EXIT SWITCH KIT MODELS: ED1100, ED1200 & ED1300

Remove access cover. Disconnect and discard all dogging components.



Replace existing screws with the mounting screws supplied with the switch kit and install the kit in the existing holes where shown.



SWITCH SPECIFICATION

ORG/RED - N/C
YEL/RED - N/O
WHT/RED - COM
5 AMP @ 125VAC
RESISTIVE