

INSTALLATION INSTRUCTIONS

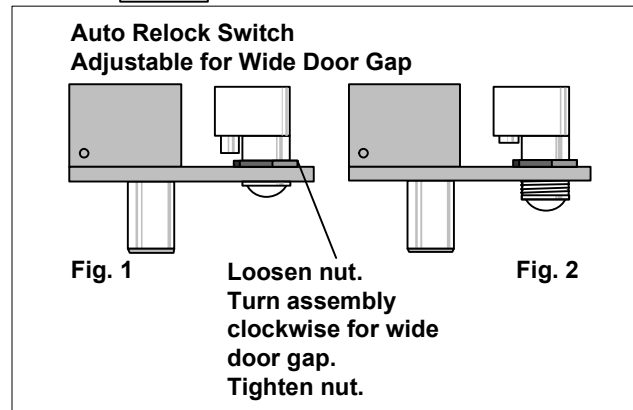
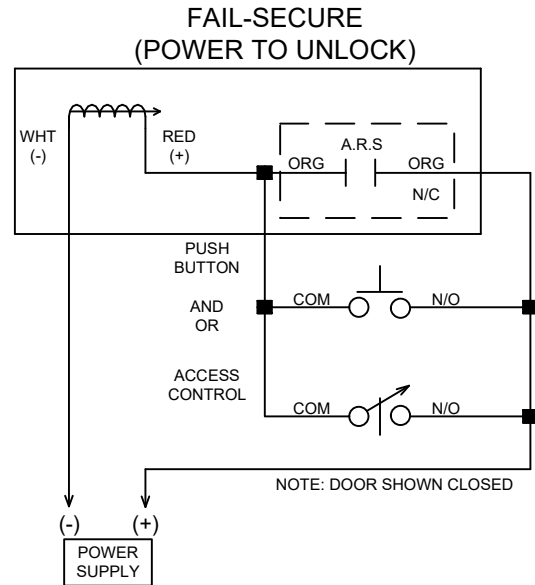
PD2090A PANIC DEVICE TOP LATCH RELEASE BOLT LOCK

READ THOROUGHLY BEFORE INSTALLING

CAUTION: *This device for center hung doors only*

INSTALLATION

1. Review the installations shown in figures A through D. Center line of panic device determines location of release.
2. The locking bolt will function as long as it enters the top latch bolt at some point. If it is not possible to line up on the panic device center line, a larger notch may have to be cut in the lock stile of the door to clear the lock latch bolt.
3. Remove bottom rod assembly.
4. A metal filler block must be placed in the top rail at the point of automatic relock switch. This block must be flush with the top of the door (required for the automatic relock switch). Because of variables, this filler block is not supplied by SDC. Notch inside top rail at relock switch.
5. After reinforcement tabs have been installed, attach power leads as shown in wire diagram.
6. Insert lock into mortise and attach with machine screws provided.



SPECIFICATION

Faceplate:	10" x 1-1/2" x 1/8"
I.D. Requirements:	10" x 1-1/2" x 1-1/2"
Solenoid:	24 VAC and 24 VDC available
(Continuous Duty 2 Stage)	Pull-in Coil – 57.6 watt / 2.4 amp at 24VDC Holding Coil – 8.4 watt / .35 amp at 24VDC
Bolt:	1/2" diameter x 1/2" throw
B:	Bolt position indicates bolt locked or unlocked 5 A. @ 30VDC
D:	Door position indicates door open or closed 5 A. @ 30VDC

TROUBLESHOOTING

Problem	Solution
Top latch will not stand up.	Adjust top latch.
Bolt will not retract.	Check voltage at lock. Check rating of transformer. Check for cracks in switch on side of lock body.
Bolt projects too soon.	Adjust auto relock switch
Bolt projects when door is open.	ARS has been bypassed. Check wiring.

Any suggestions or comments to this instruction or product are welcome. Please contact us through our website or email engineer@sdsecurity.com

TYPICAL INSTALLATION FOR PANIC LOCK

FIG. A

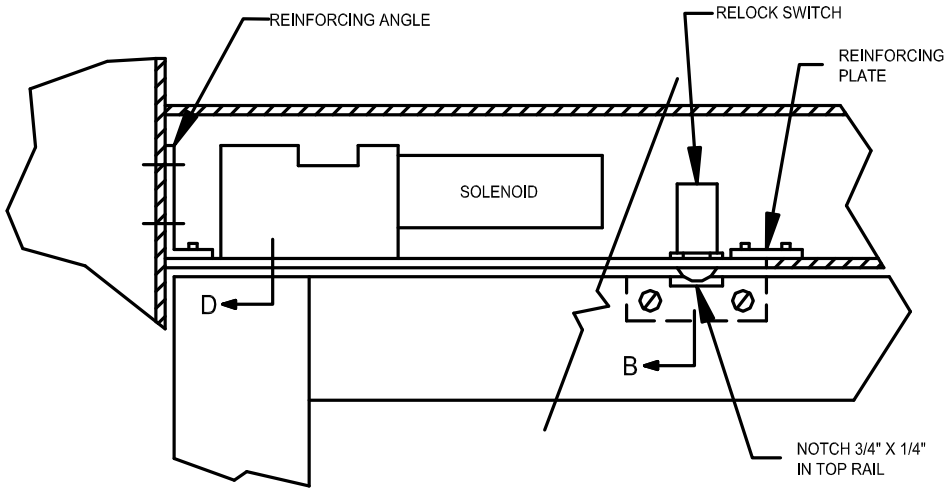


FIG. B

NOTCH INDICATED BY 3/4" X 1/4" DIMENSION IS REQUIRED TO DELAY ACTION OF RELOCK SWITCH UNTIL DOOR IS WITHIN 1/8" OF CLOSED POSITION.

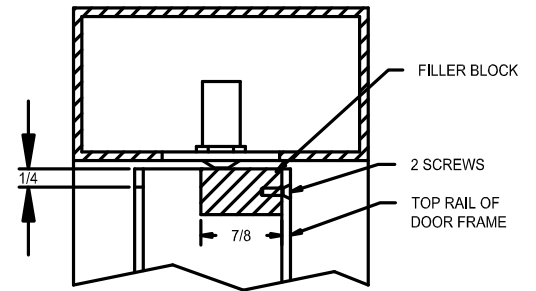
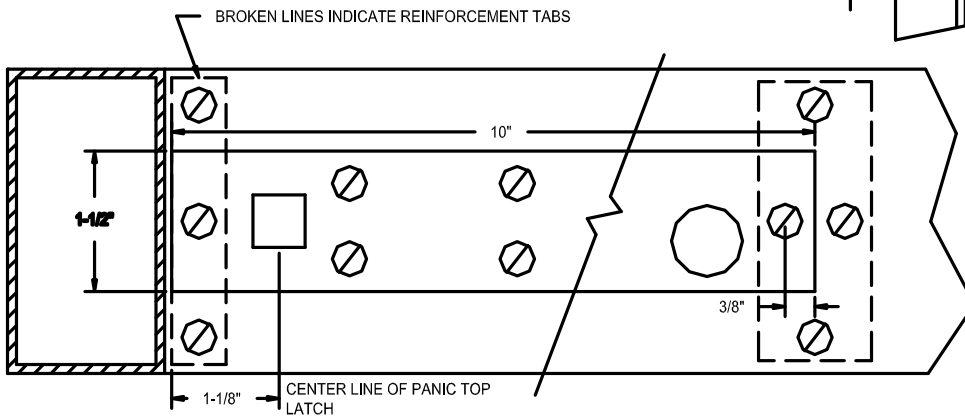
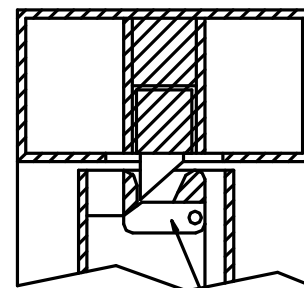
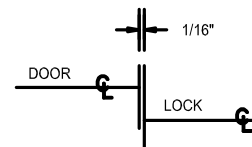


FIG. C



VIEW OF UNDERSIDE OF HEADER (CUT-OUT DETAIL)

FIG. D



DOR-O-MATIC
 DEVICE NO. 990
 NO. 1190 AND KAWNEER