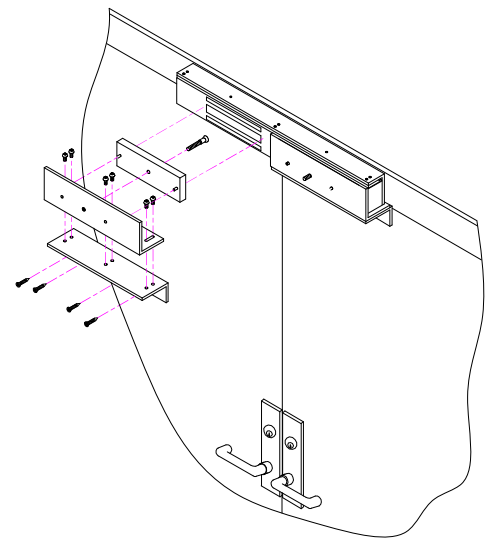
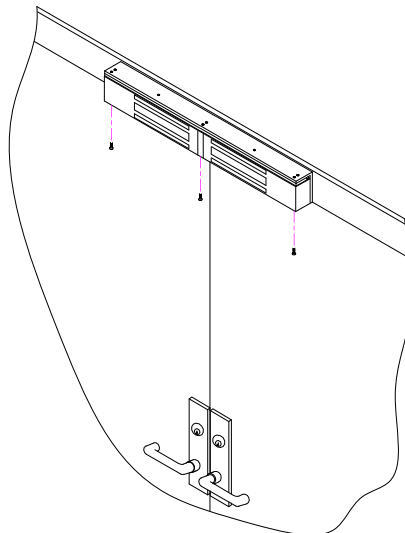
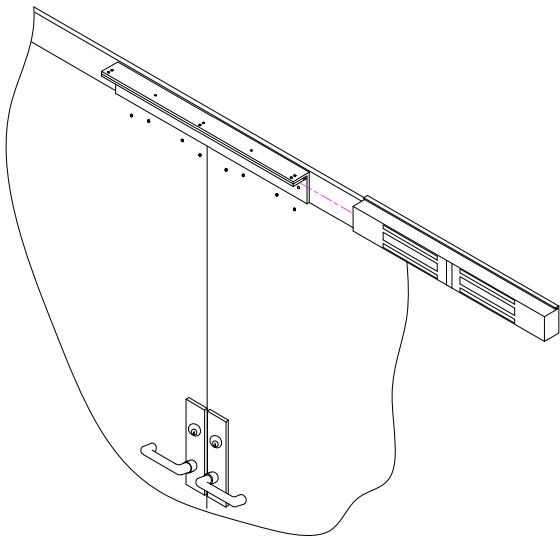
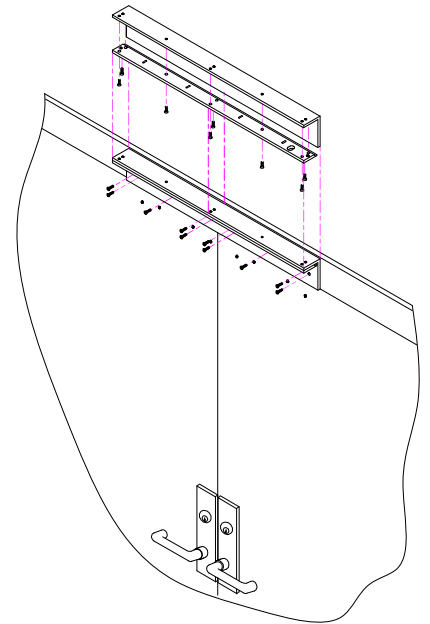
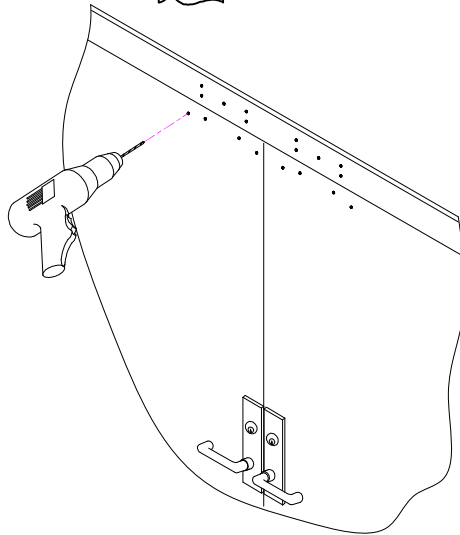
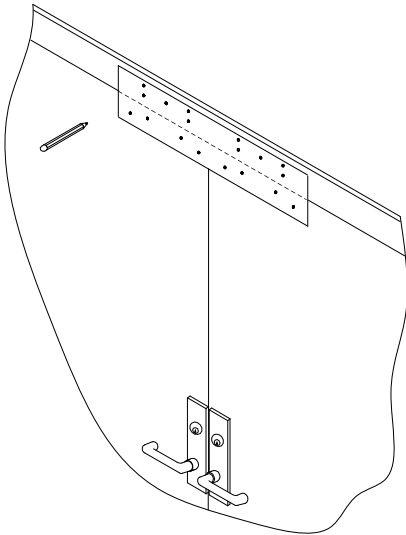
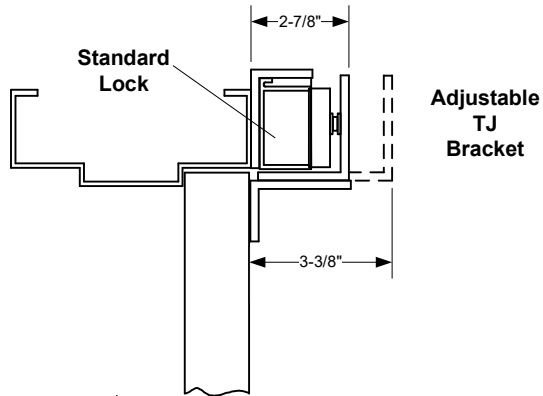




INSTALLATION INSTRUCTIONS

TJ352 TOP JAMB MOUNTING KIT



Any suggestions or comments to this instruction or product are welcome. Please contact us through our website or email engineer@sdsecurity.com