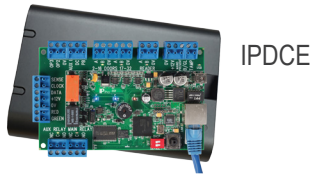


IP Pro™ Access Control Solution

Single Door Electric Latch Retraction Application

1 Access Control

IP Controller



2 Power Supply



12 and 24VDC Output



OPTIONAL BATTERY BACKUP
RB12V4-2

3 Wiegand Reader Options (Choose one):

Prox Reader or Keypad-Prox Combo



OPTIONAL CREDENTIALS
Fobs - HID1346-10
Cards - HID1326-25

4 Exit Device Electric Latch Retraction



Complete Device or Field Retrofit Kit (Choose one):



Available for many brands

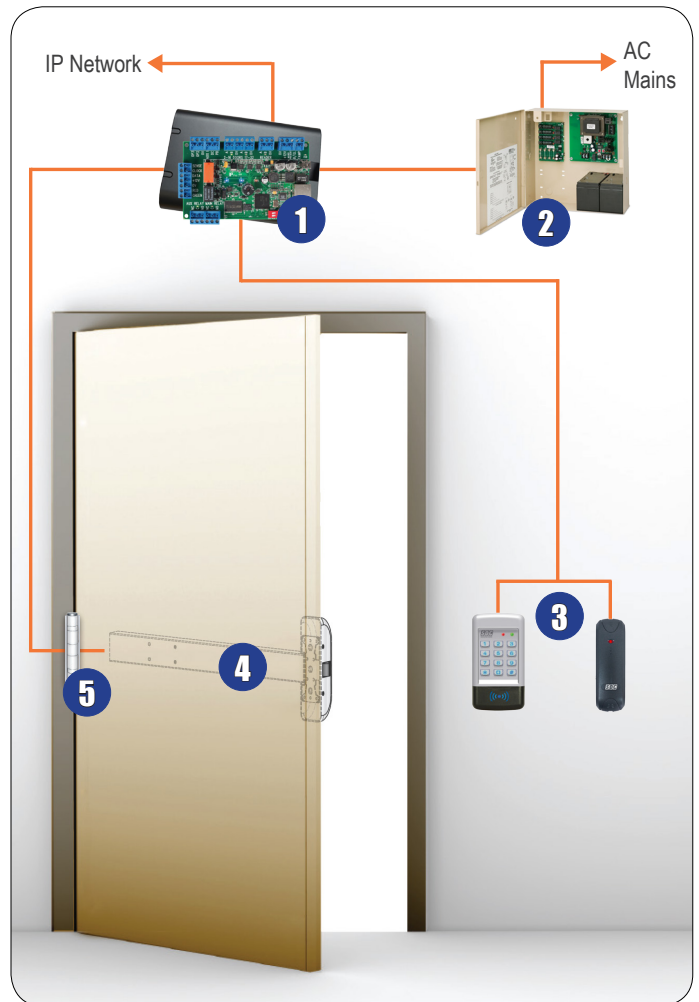
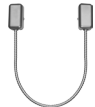
OPTIONAL:
Latch & REX
Monitoring

5 Power Transfer Device



(Choose one):

Wire Transfer Hinge or Loops



SYSTEM OPERATION

Door is normally closed and secured by an exit panic device.

Authorized Access: Presenting a valid card/fob or entering a valid user code on the keypad will momentarily retract the latch on the exit device, permitting access. The unlock time will be configured by the access control programming. The door may also be programmed for maintained access (dogging).

Manual Override: Key override is available from the unsecured side via optional active trim.

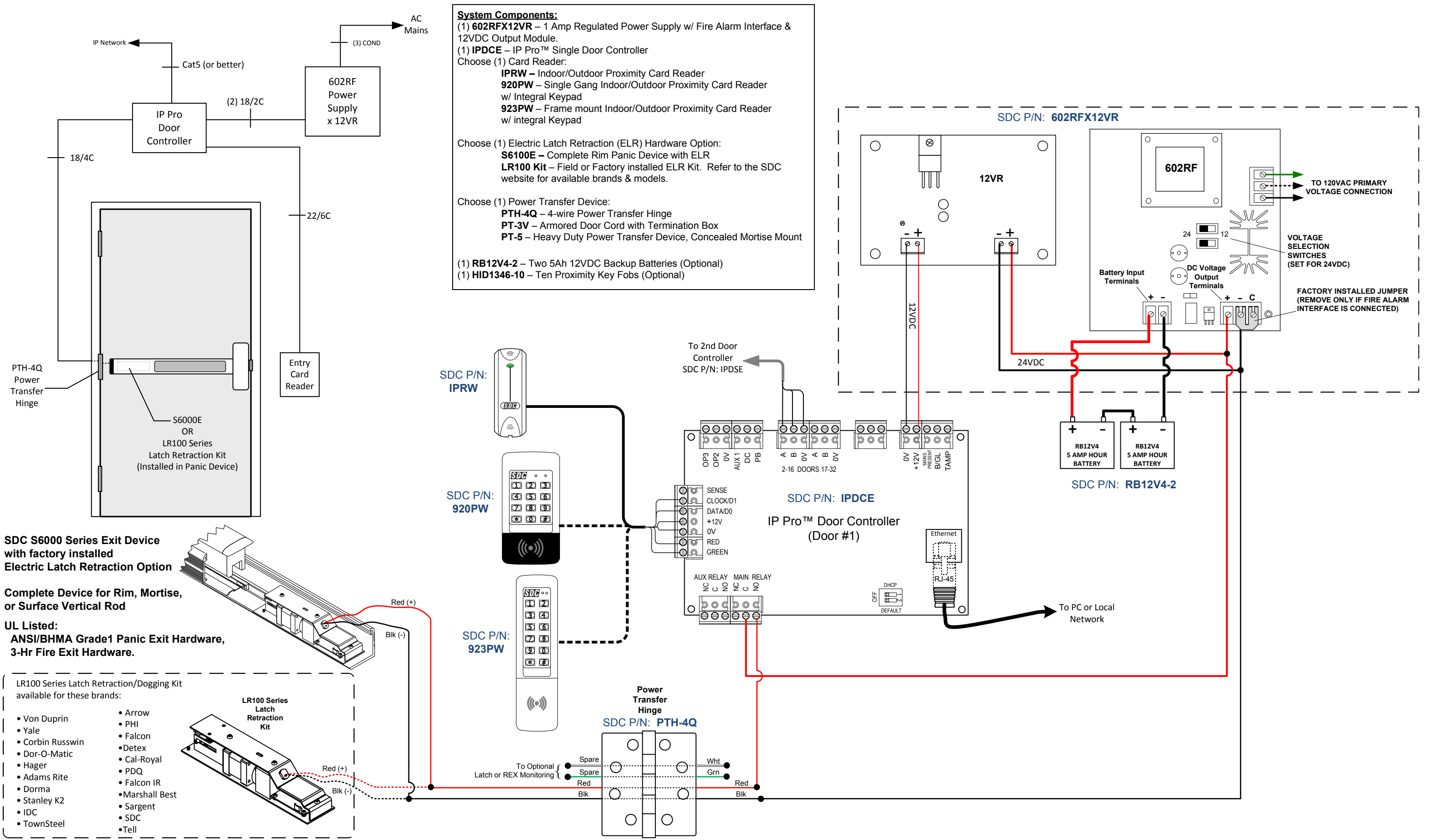
Authorized Egress: Free egress is available at all times by pressing the exit device pushpad, retracting the latch, and opening the door.

Low Voltage: System is powered by a regulated & filtered power supply with 12VDC output for access control equipment and 24VDC output for locking hardware to maximize efficiency.

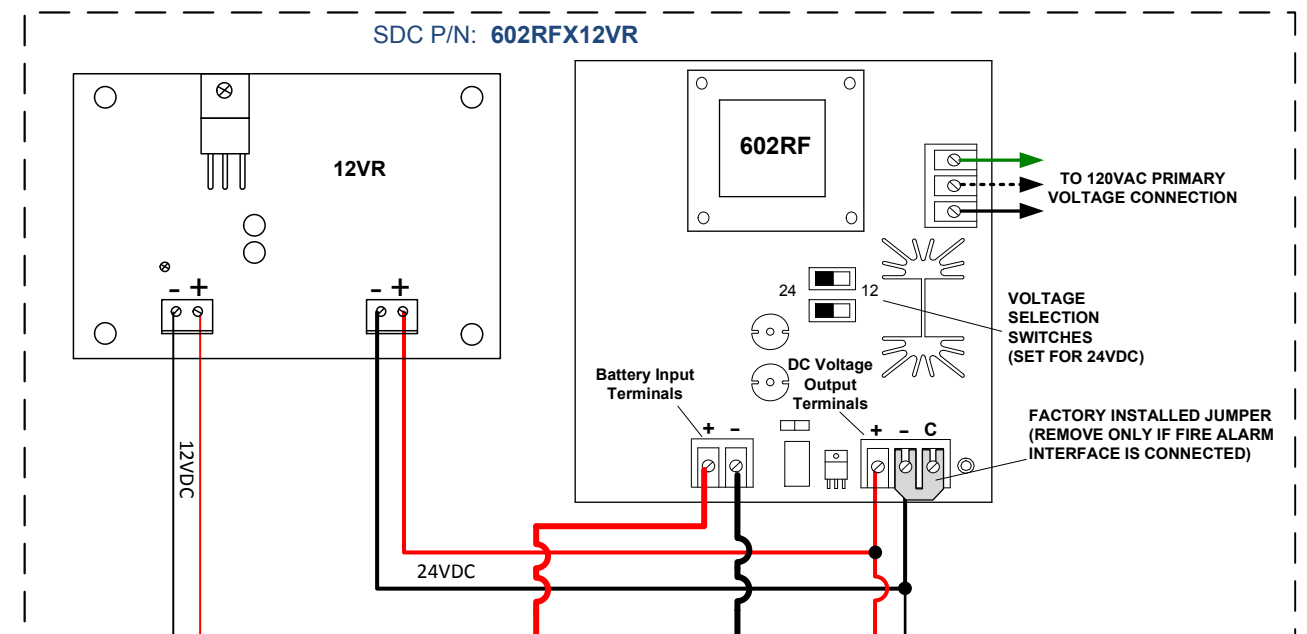
IP-based Access Control: User-friendly programming interface via a built-in web server, accessible from any networked PC.



(800) 413-8783 ▪ www.SDCsecurity.com



- System Components:**
- (1) **602RFX12VR** – 1 Amp Regulated Power Supply w/ Fire Alarm Interface & 12VDC Output Module.
 - (1) **IPDCE** – IP Pro™ Single Door Controller
 - Choose (1) Card Reader:
 - IPRW** – Indoor/Outdoor Proximity Card Reader
 - 920PW** – Single Gang Indoor/Outdoor Proximity Card Reader w/ Integral Keypad
 - 923PW** – Frame mount Indoor/Outdoor Proximity Card Reader w/ integral Keypad
 - Choose (1) Electric Latch Retraction (ELR) Hardware Option:
 - S6100E** – Complete Rim Panic Device with ELR
 - LR100 Kit** – Field or Factory installed ELR Kit. Refer to the SDC website for available brands & models.
 - Choose (1) Power Transfer Device:
 - PTH-4Q** – 4-wire Power Transfer Hinge
 - PT-3V** – Armored Door Cord with Termination Box
 - PT-5** – Heavy Duty Power Transfer Device, Concealed Mortise Mount
 - (1) **RB12V4-2** – Two 5Ah 12VDC Backup Batteries (Optional)
 - (1) **HID1346-10** – Ten Proximity Key Fobs (Optional)



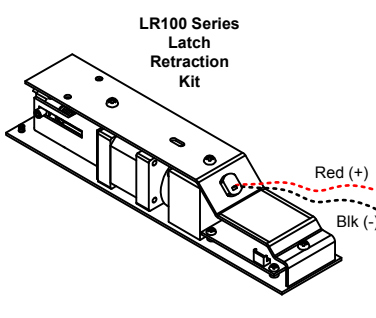
SDC S6000 Series Exit Device with factory installed Electric Latch Retraction Option

Complete Device for Rim, Mortise, or Surface Vertical Rod

UL Listed: ANSI/BHMA Grade1 Panic Exit Hardware, 3-Hr Fire Exit Hardware.

LR100 Series Latch Retraction/Dogging Kit available for these brands:

- Von Duprin
- Yale
- Corbin Russwin
- Dor-O-Matic
- Hager
- Adams Rite
- Dorma
- Stanley K2
- IDC
- TownSteel
- Arrow
- PHI
- Falcon
- Detex
- Cal-Royal
- PDQ
- Falcon IR
- Marshall Best
- Sargent
- SDC
- Tell



© 2015 Security Door Controls Printed in U.S.A

<p>Security Door Controls 801 Avenida Acaso Camarillo, CA 93012 t 805.494.0622 ~ f 805.494.8861 www.sdcsecurity.com</p>	<p>NOTE: ALL WIRING MUST BE REVIEWED AND APPROVED BY THE PROJECT ENGINEER ASSIGNED TO THE LOCATION FOR ITS CORRECTNESS AND SUITABILITY FOR THE APPLICATION IN WHICH THE EQUIPMENT IS INSTALLED AND OPERATED. ALL WIRING MUST CONFORM TO NATIONAL, STATE, AND LOCAL CODES FOR CLASS 2 FIRE PROTECTION AND CONTROL DEVICES.</p>	PROJECT NAME:	TITLE:	SO NO.:	REV
		IP Pro Single Door Applications	IP Pro™ 1-Door System with Electric Latch Retraction	-	-
LOCATION:	DIST.:	CONTACT:	DATE:	DRAWN BY:	DWG. NO.:
--	-	service@sdsecurity.com	07/2015	-	IPPRO Apps
					Page 9 of 9